



The cement industry driven by David Brown.

David Brown

Africa +27 11 748 0000
Australia +61 1300 32 4327
China +86 21 6334 3322
Europe +33 3 89 37 01 13
Thailand +66 38 459044
United Kingdom +44 (0)1484 465500

Sister Companies. Cone Drive & Benzlers

Central & South America +1 231 946 8410
North America +1 888 994 2663
Scandinavia +46 42 18 68 00

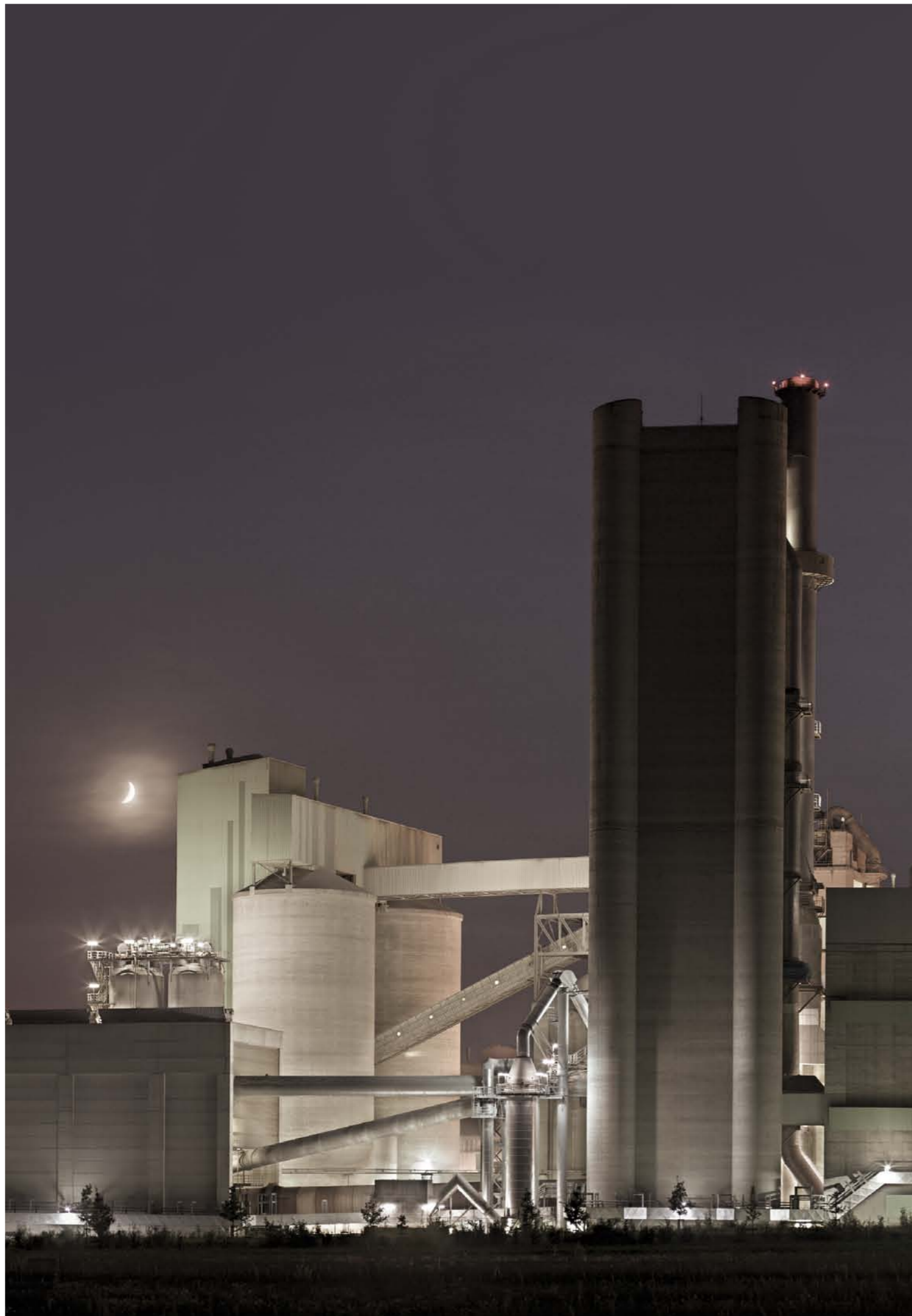




THIS IS ENGINEERING AROUND YOU: THE NAME DAVID BROWN HAS BEEN AN INTEGRAL PART OF INDUSTRY FOR NEARLY 150 YEARS. EVERYTHING WE PRODUCE IS DRIVEN BY YOUR NEEDS, WHICH IS WHY WE IMMERSE OURSELVES IN THE DEMANDS YOU FACE, BECAUSE WE'VE LEARNED THAT THE BEST WAY TO SOLVE A PROBLEM IS TO LOOK AT IT FROM EVERY POSSIBLE ANGLE. THIS IS ENGINEERING AROUND YOU.

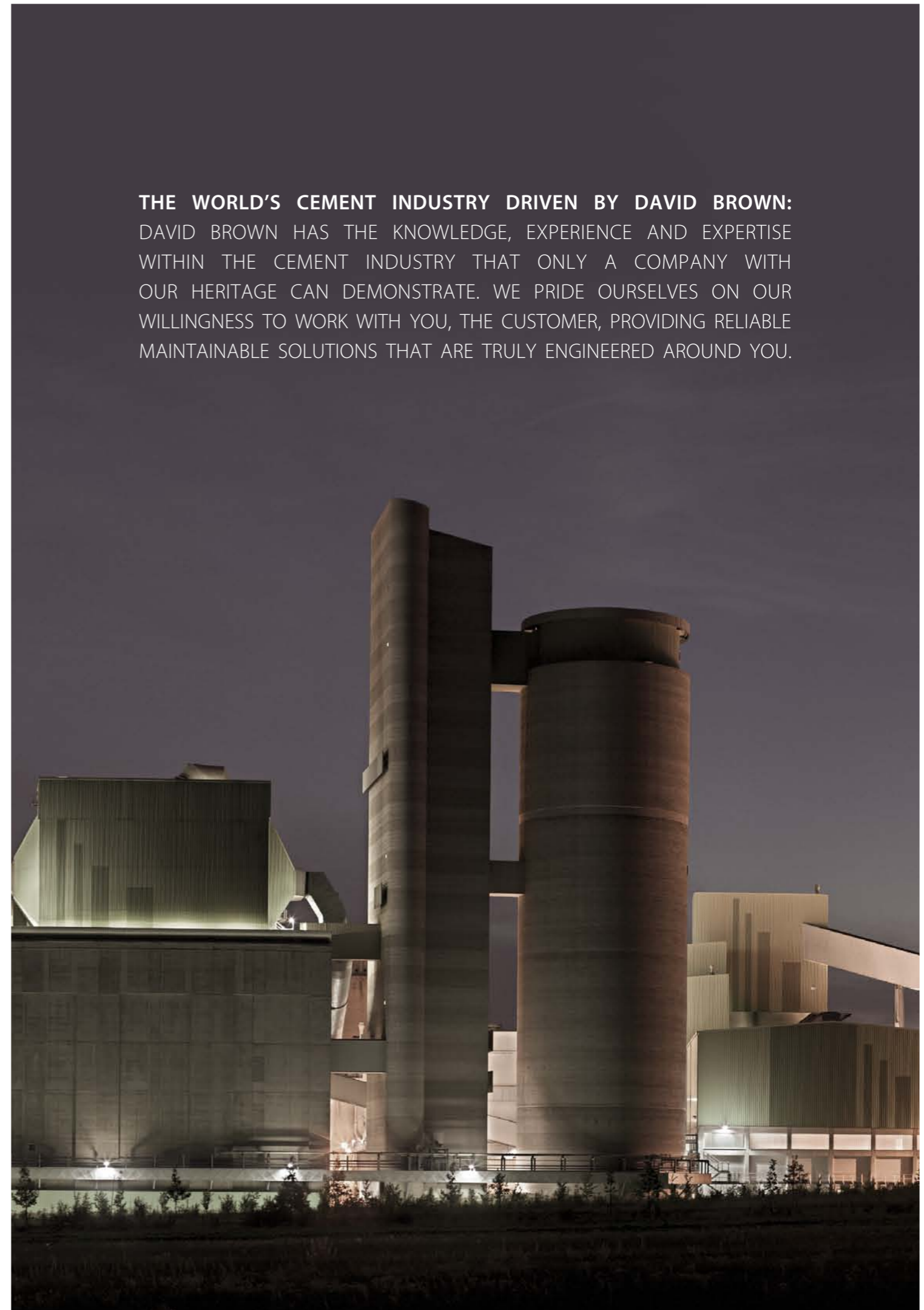
Contents

The cement production process	06
Centre Drives	08
The VDM Series	10
Kiln Drives	12
Global aftermarket support	16
David Brown gets Australian client out of a tight spot	18
Wash drum upgrade at Buxton Lime	19



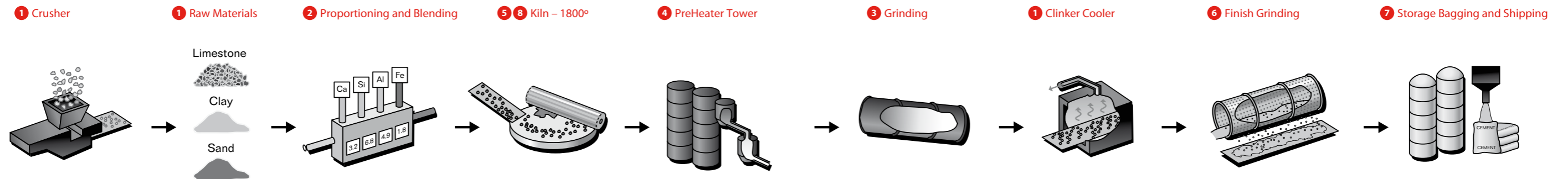
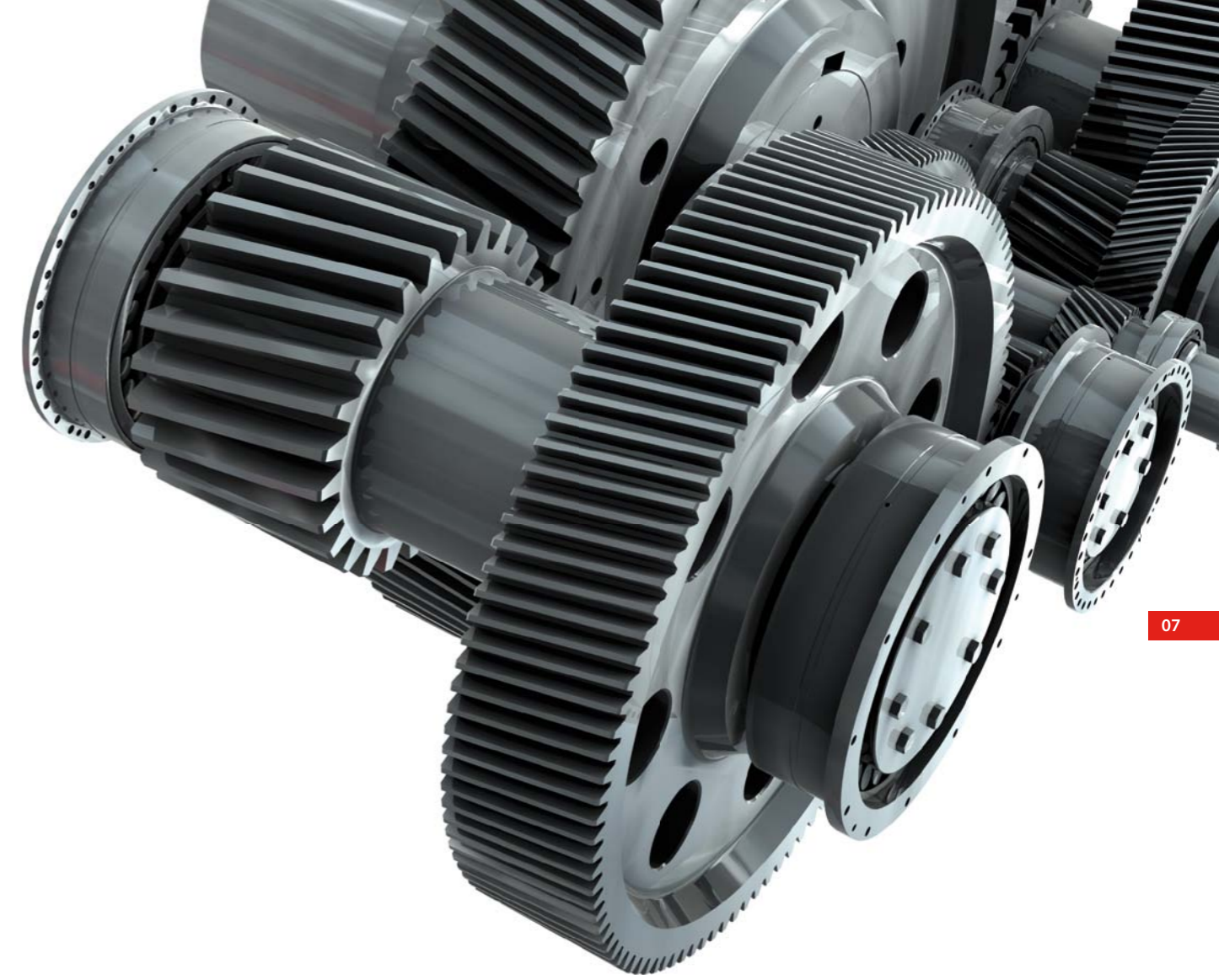
THE WORLD'S CEMENT INDUSTRY DRIVEN BY DAVID BROWN:

DAVID BROWN HAS THE KNOWLEDGE, EXPERIENCE AND EXPERTISE WITHIN THE CEMENT INDUSTRY THAT ONLY A COMPANY WITH OUR HERITAGE CAN DEMONSTRATE. WE PRIDE OURSELVES ON OUR WILLINGNESS TO WORK WITH YOU, THE CUSTOMER, PROVIDING RELIABLE MAINTAINABLE SOLUTIONS THAT ARE TRULY ENGINEERED AROUND YOU.



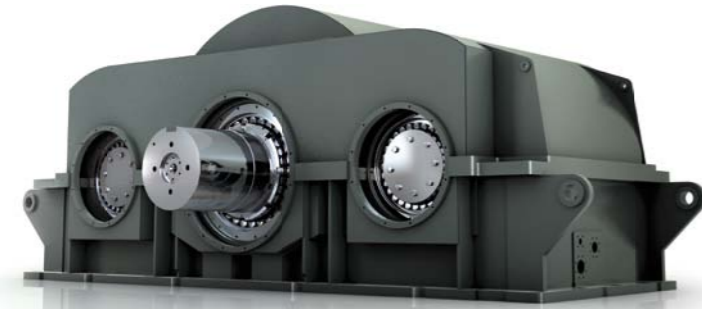
THE CEMENT PRODUCTION PROCESS

David Brown excels in the cement industry because we supply products and services that you can fit and forget. Investment in our design and engineering skills ensures our products reach the highest standards of accuracy, reliability and durability that our customers demand and need in the cement making process.



- 1 G or H Series for conveyor drives
- 2 M, C, F, K or G Series for conveyor drives
- 3 Vertical roller mill or ball mill drives – centre drives or girth gears and H Series
- 4 M, C, F, K or G, H Series for screw conveyors, flap valves, rotary valves and dynamic separator drives

- 5 Kiln drives – girth gears and H Series, primary drives, centre drives
- 6 Mill drives for ball mills – girth gears and H Series, centre drives, twin planetary units, bevel helical, roller presses
- 7 M, C, F, K or G Series for conveyor drives, bagging machines
- 8 Ball rolls and vertical roller mills for fuel grinding



CENTRE DRIVES BUILT FOR YOU

David Brown's design and engineering capabilities coupled with our extensive experience in the cement industry enables us to produce retrofit replacement gearboxes for existing installations that can run trouble free for 30 or more years.

The quality of the design and engineering work guarantees performance under the most extreme and demanding conditions and our gearboxes are better able to cope with the loading spikes often encountered in cement manufacture.

CAPABILITIES

David Brown utilise the latest engineering technologies like 3D cad and Finite Element Analysis (FEA) to ensure the work they produce performs to the high standards that we have set over the years and our customers expect from us. Our centre drive range runs from 1,500kw up to 10,000kw but each solution can be individually tailored to maximise the output of your cement plant.

MAXIMISED UPTIME

Our centre drives are designed to minimise downtime in the most difficult and harshest of environments and ensure your cement plant keeps on running. Quality engineering and the split torque design allowing for interchangeable parts not only ensures minimised spares holding but delivers maximum uptime.

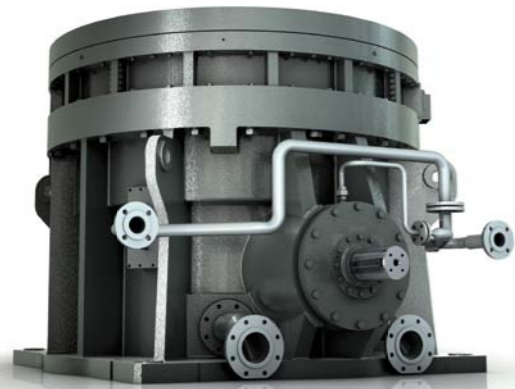
EASY INSTALLATION & MAINTENANCE

Our centre drives are engineered for you, to allow for minimal disruption on installation and easy access for routine maintenance and inspections. The design of the base plates can be tailored to match existing centre heights ensuring our gearboxes are the perfect drop in solution for your cement plant.



Key features of Centre Drives

- Horizontal split gear case with top cover removable in less than 1 hour for easy inspection and maintenance
- Each gear can be removed repaired independently with minimal disruption to other gears and shafts
- No overhung gears, i.e. all gear shafts supported by bearings at each end
- Optional auxiliary drive can be mounted to LH or RH of input shaft
- Main lubrication pump and standby lubrication pumps with automatic switching should one fail for any reason
- All gears are case hardened and profile ground for maximum precision, quietness and reliability utilising naval marine technology
- Identical LH and RH gear trains minimises spares stocking and allows unit to run at reduced load should there be any problem
- All gear teeth are profile ground to AGMA Quality 12 (equivalent to ISO/DIN/BS Grade 5)



THE VMD SERIES DESIGNED FOR YOU

The Vertical Mill Drive is the ultimate combination of strength, integrity and precision and is ideal for demanding vertical mill crushing applications. Our engineering experience enables us to design customer matched solutions that will perform to the highest standards required under the most extreme and demanding conditions.

ENGINEERED FOR YOU

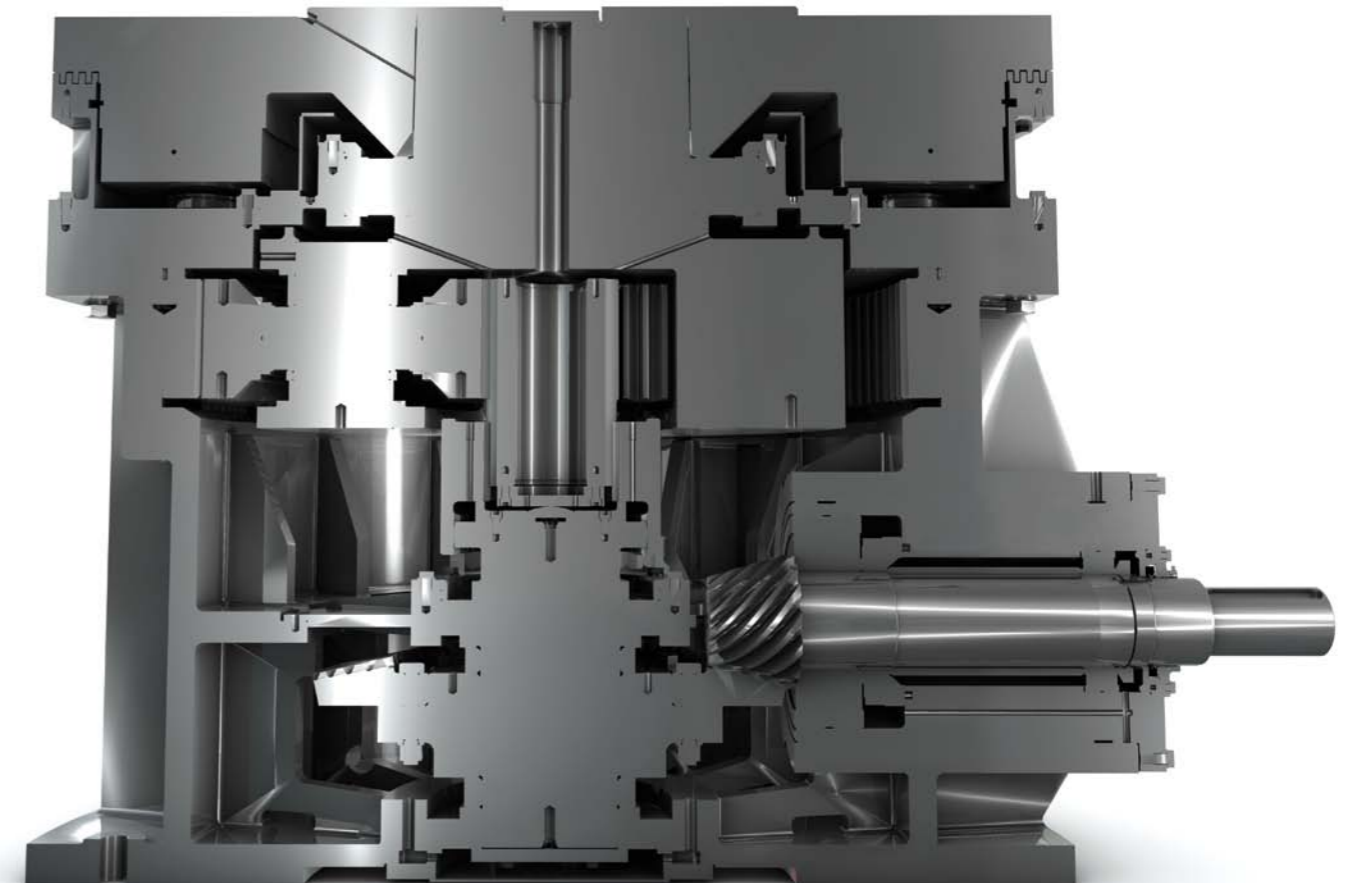
The Vertical Mill Drive range runs from 250kW up to 1,600kW, but each solution can be individually tailored to provide optimized design for each customer's requirements up to 5,000kW if required. The adaptable design of floor mounting positions, shaft size and center height ensures that the flexibility of design and engineering is there to meet any requirement.

RELIABILITY

The advanced design of the VMD ensures it can handle 'overload' conditions as well as being a retrofit replacement for existing installations whilst offering durability and reliability. That's why it was ranked number 1 for reliability in the Chinese Federation of Electric Power Companies reliability index for 9 consecutive years.

MINIMIZE DOWNTIME

The VMD is designed to be reliable and durable but also to ensure when routine maintenance and inspections are needed downtime is kept to a minimum. The unique design of 4 removable inspection covers enables easy access and maintenance to be carried out without the need for lengthy and costly delays.



Key features of the VMD Series

- Single piece, SG iron cast planet carrier for high strength and integrity
- Planet gears case hardened, profile ground and supported in self-aligning roller bearings
- Labyrinth seals on input shaft and output coupling
- Input shaft supported with heavy duty roller bearings
- PTFE coated thrust pad bearings include temperature sensors to continuously monitor for dangerous overload conditions
- Through hardened high-alloy steel annulus enclosed within the case for additional strength
- SG iron, heavy-duty output coupling, has hydraulic release for simple decoupling
- Case hardened and profile ground bevel gears
- 4 removable inspection covers allows easy inspection and replacement of thrust pad bearings without disturbing seal or output coupling.

KILN DRIVES

The kiln is at the heart of the cement manufacturing process and that's why you require quality reliable products to ensure continued operation. David Brown speed reducing gearboxes and girth gears are the high quality, reliable and durable products you need in this critical aspect of cement production to help keep your cement plant running.

SPEED REDUCER GEARBOXES DRIVEN BY DAVID BROWN

David Brown speed reducer gearboxes manage to combine rigidity with strength and virtually eliminate backlash and friction. Designed to optimise speed, increase torque and improve the performance of your cement process without compromising on quality and reliability.

The David Brown speed reducer range operates up to 8,300kW and is a robust and durable product with low maintenance costs. The high quality profile ground helical gears coupled with a high level surface finish to ensure quiet running means a long life reliability which is critical in the demanding cement industry.



GIRTH GEARS DRIVEN BY DAVID BROWN

David Brown is continually investing in the most advanced machining and gear cutting technology available today to ensure our Girth Gears are reliable and durable in the hostile environment of the cement industry.

David Brown has the global capacity to produce girth gears up to 14m diameter and can supply the world's largest kiln applications for the cement industry. With our temperature-controlled gear-cutting facilities you can be sure our gears achieve the highest accuracy possible (AGMA Grade 5) for the demanding cement industry.

Key features of Kiln Drives

- David Brown speed reducing gearboxes combine rigidity with strength
- Speed reducing gearboxes are designed to optimise speed and increase torque
- All our gears are robust and durable with low maintenance costs
- Global capacity to produce girth gears up to 14m diameter
- Girth Gears to the highest accuracy possible (AGMA Grade 5)





SERVICE THAT YOU CAN COUNT ON: DAVID BROWN IS DEDICATED TO MEETING OUR CUSTOMERS' NEEDS BY PROVIDING A SERVICE THAT OPERATES LIKE YOUR BUSINESS ON A GLOBAL 24/7 BASIS. THE QUALITY OF SERVICE AND SUPPORT OFFERED BY DAVID BROWN IS A DIRECT RESULT OF OUR EXPERTISE AND EXPERIENCE BACKED BY THE QUALITY AND PRIDE OUR WORKFORCE DISPLAY EVERYDAY AS STANDARD. UTILISING THE LATEST TECHNOLOGY, OUR SERVICE ENGINEERS ARE READY AND WAITING 24 HOURS A DAY, 365 DAYS A YEAR.



GLOBAL AFTERMARKET SUPPORT

The support and service offered by David Brown is backed up by 150 years of expertise and experience. Dedicated aftermarket and support teams are based throughout the world, giving you the vital support that you and your business demand on a global 24/7 basis.



- | | |
|------------------------|-------------------|
| ○ Full service centres | ● Support centres |
| Africa | Brazil |
| Australia | Czech Republic |
| China | Indonesia |
| Europe | India |
| Thailand | Netherlands |
| UK | Russia |
| USA | |

WE OPERATE AT THE VERY CORE OF YOUR BUSINESS

David Brown has established a stand-alone, aftermarket business to take care of David Brown branded or any other geared installations, on a global basis. With the backing of dedicated proposals, engineering and purchasing teams, our products and services are truly engineered around you.

Services offered

- On-Site Services
- Repairs, overhauls & upgrades
- Service & Repair
- Retrofit Replacement Gearboxes
- Asset Management
- Strategic Spares Management

David Brown field service engineers are primed to deal with any problem you may encounter in the cement industry, anywhere in the world. Utilising the latest technology, they are ready and waiting 24 hours a day, 365 days a year.

Their specialist knowledge in the cement industry ensures that they can drive value into your process and keep your business running eliminating downtime and lowering your costs. They have the technology to provide fast, effective, repair and support services anytime, anywhere in the world.





DAVID BROWN GETS AUSTRALIAN CLIENT OUT OF A TIGHT SPOT

Overcoming extremely limited clearances while manoeuvring a 3m diameter, 23 tonne gear for an Australian cement producer is just the latest example of the resourcefulness regularly shown by David Brown's on-site services team.

The cement mill gearbox operated by a major Australian cement producer had suffered a bearing failure and resulting debris damaged the gear teeth. Engineers from David Brown not only attended the site to make repairs and allow continued production in the interim, but liaised closely with the client to plan the gear replacement method and keep downtime to a minimum.

The contract underlines the scope of David Brown's on-site services in a market which is increasingly driven by service as well as product excellence. In this case a special cradle was constructed under David Brown's guidance and the gear was transferred into place on rails.

Recognising the importance of preventative maintenance, the company also boasts a range of applications knowledge, gained through close long-term customer partnerships in many heavy process industries, to offer performance improvements to transmissions and other rotating equipment. Using appropriate condition monitoring and analysis techniques, David Brown is able to pin point critical process issues and recommend courses of action to substantially reduce the associated risks.

The team that worked on the project is just part of David Brown's fully qualified field service engineer resource which is available in most parts of the world to provide a number of key services from performance testing, fault diagnostics through to installation/commissioning, alignment checks and emergency repairs.

- Overcame extremely limited clearances
- Liaised closely with the client to plan gear replacement method
- Attended the site to make repairs and allow continued production
- Special cradle constructed
- Kept downtime to a minimum

WASH DRUM UPGRADE AT BUXTON LIME

Tarmac's Buxton Lime quarry required replacement of the gearboxes on its No. 3 wash drums with the minimum of modification and production downtime. Ready product availability and expert technical assistance were going to be necessary to create a minimum of disturbance.

As a trusted supplier to the quarry over the years – over a hundred David Brown gearboxes are currently operating on the site – David Brown was approached to suggest possible replacements for existing gearboxes manufactured by a competitor and put forward its Series G as the best solution.

The twin wash drums, motors and drives, which process a total of 2.5 million tonnes of material per annum, were supplied some years ago as a package and came already fitted with a competitor's gearboxes. As these gearboxes approached the end of their working lives a quote was obtained for their substitution on a 'like-for-like' basis but by this stage the model had gone out of normal production and was prohibitively expensive, with a significant delay in availability, whilst an 'equivalent' product

in their range would have required too much modification to be practicable, hence the attraction of the David Brown solution.

The washing plant at Tarmac's Buxton Lime plant produces hydrated limes used for a soda ash process in Cheshire and for flue gas desulphurisation at three power stations in the East Midlands.

Aiming to get as close as possible to a 'drop in' solution, David Brown's sales team liaised closely with the quarry, inspecting the

installation and providing detailed drawings and advice necessary to enable the work to be carried out. The standard gearboxes were customised to feature specially-shortened output shafts and needed only re-drilling of the base plate and the use of packing plates to raise the shaft centres to the correct height. The installation work took a total of sixteen hours while a further gearbox is being kept on site as a strategic spare.

- Replaced gearboxes with minimum modification and production downtime
- Over 100 David Brown gearboxes on site
- Series G gearbox was customised to create an effective solution
- Ready product availability and expert technical assistance
- Minimum downtime